



HOSHIZAKI

FREEZER CABINET 2/1 GN SUF-135EG-R-C-U



MODEL DESIGNATION EXAMPLE:

SUF-135EG R C

Legs or Castors

C : Castors Ø 100 mm
L : Legs H = 130-180 mm

Exterior finish

R : Inox AISI 430

Generation and refrigerant

EG : Generation 4 and HC refrigerant

Exterior dimensions

65 : Width 654 mm
135 : Width 1344 mm

Temperature range

SUR : Refrigerator
SUF : Freezer

Option codes:

L : Legs H = 130-180 mm
C : Castors Ø 100 mm

| Product code | Product name |
|--------------|--------------|
| 877000 | SUR-65 |
| 877010 | SUF-65 |
| 878000 | SUR-135 |
| 878010 | SUF-135 |

Product series: Snowflake GII+
Item number: 878010904



Temperature range
-22/-5°C

The Snowflake GII+ series is brought to you by Japanese and Danish engineering excellence, dedicated to simplify the day-to-day work routines of kitchen staff all around the world.

The technology behind the performance boost of Snowflake GII+ is the tropicalised cooling system enduring up to +40°C. Additionally, the cooling agent of the new generation of Snowflake is the ecofriendly refrigerant R290, a natural gas (HC) that enhances the performance and significantly reduces energy consumption.

Both interior and exterior are built of anti-corrosion stainless steel, which is among the best choices for hygienic and food safe cooking environments.

The Snowflake GII SUF-135EG-R-C U is a 2-door freezer cabinet with a net internal volume of 797 Ltr.

As a product that is designed and built to last, this freezer cabinet combines an innovative design concept, premium materials and clever extras:

- Minimum cool air lost: double insulated and extra wide door gaskets help to keep cold air in the cabinet.
- Anti-tilt mechanism: moulded liners for gastronorm pans and shelves.
- Removable gaskets and cleaning-free condenser allow you to clean device thoroughly.
- Accurate, user-friendly digital temperature controls and display.
- Sturdy lockable castors allow easy positioning.
- Automatic defrost maximises efficiency and performance.
- Fan assisted cooling for rapid temperature recovery.
- Secure lockable, self-closing doors.

The refrigerant used in all Snowflake GII+ HC models is R290.

This agent is a natural gas which enhances the performance of the freezer cabinet and has, compared to other refrigerants, a minimal global warming potential.

Refrigerant / GWP:
R 290 / 3 - (0.105kg/CO2 eq 0.315kg)

Energy Efficiency Index
EEI: 66

Energy consumption
Ecodesign AEC:
3523 kWh/year

Climate class:
5



| MODEL | Volume, gross | Net usable volume | Maximum number of shelves | Number of shelves | Connection | Connection load (Watts) | Refrigeration capacity at -25°C | Sound level | Insulation |
|-----------------|---------------|-------------------|---------------------------|-------------------|--------------|-------------------------|---------------------------------|-------------|---------------------|
| SUF-135EG-R-C-U | 1200 ltr | 797 ltr | 22 x 2 distance of 60mm | 6 | 230 V, 50 Hz | 570 Watt | 673 Watt | 58 dB(A) | 60mm (cyclopentane) |

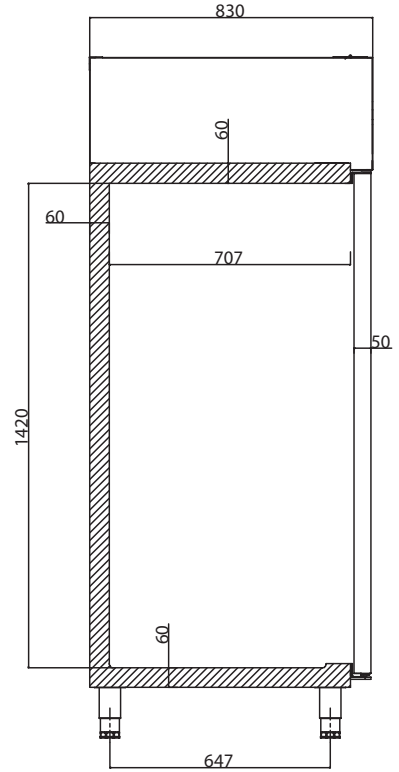
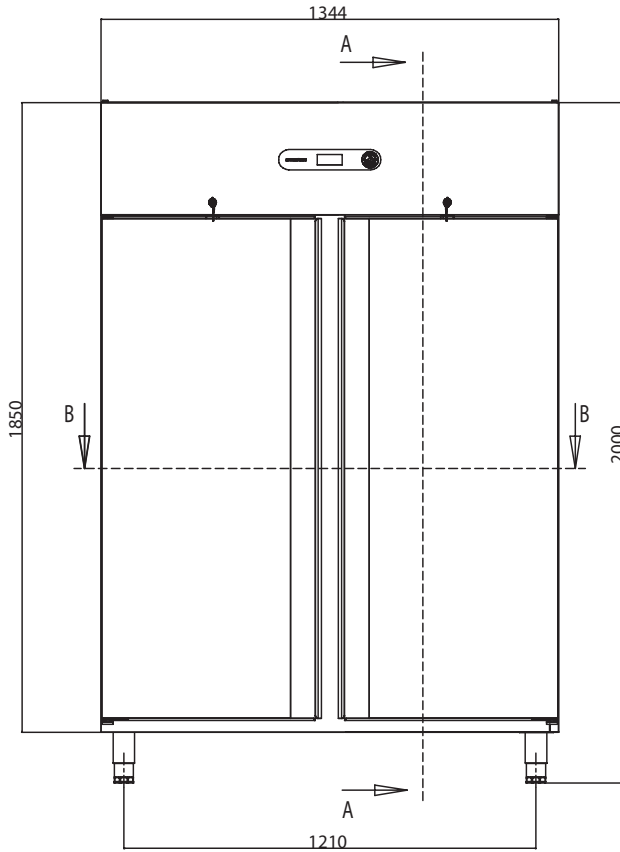


HOSHIZAKI

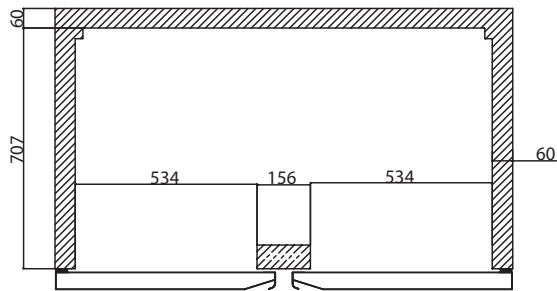
Product series: Snowflake GII+
Item number: 878010904

FREEZER CABINET 2/1 GN SUF-135EG-R-C-U

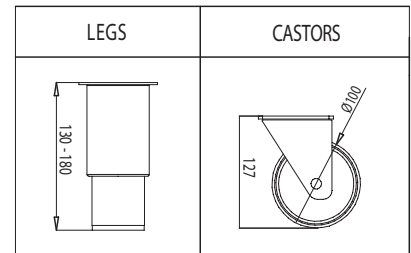
Temperature range
-22/-5°C



A-A



B-B



| MODEL | Net dimensions W x D x H | Net weight | Packaged dimensions W x D x H | Packaged weight | Packaged volume |
|-----------------|-----------------------------|------------|----------------------------------|-----------------|---------------------|
| SUF-135EG-R-C-U | 1344 x 830 x 1977mm | 190kg | 1394 x 880 x 2150mm | 198kg | 2.64 m ³ |