



**Model**

NS350XHD

**Product Description**

Slicer, 14", Extra Heavy Duty, Gear Driven

**Product Code**

5S512N



**Standard Features**

- Ideal machine for high volume work required in large restaurants, supermarkets, delis, butchers and central production kitchens
- Gear driven slicer designed to effortlessly handle heavy loads like bacon and large pieces of meat that might cause slipping and / or blade stoppage on a belt driven machine
- Ideal slicer for heavy cured meats including bacon, Parma ham, Serrano ham, Bresaola and Salami
- Hollow ground chromed carbon steel blade
- Easy set thickness control allows for precision slicing
- Carriage slides on ball bearings for smooth carriage glide
- Made from high polished, anodised food grade aluminium for durability and hygiene
- Large base to ensure slicer has a large capacity to cope with large products
- Ergonomic design with smooth rounded edges to allow for fast and easy cleaning and improved levels of hygiene
- Fully interlocked and safe guarded for full compliance of CE legislation. This ensures all-round blade protection for ultimate user safety during cleaning
- Built-in, self-aligning sharpening and de-burring unit
- Table / carriage, blade cover, blade and sharpening unit are detachable for easy cleaning
- Transparent slicing guard to ensure ultimate user safety whilst slicing
- Optional voltages and frequencies available on request
- CE Approved

**Standard Accessories**

- 1 x Knife Remover
- 1 x Flat Head Screwdriver
- 1 x Tasteless Oil

**Warranty**

Covered by Metcalfe 2-year warranty (1<sup>st</sup> year parts and labour, 2<sup>nd</sup> year parts only) and full after sales service

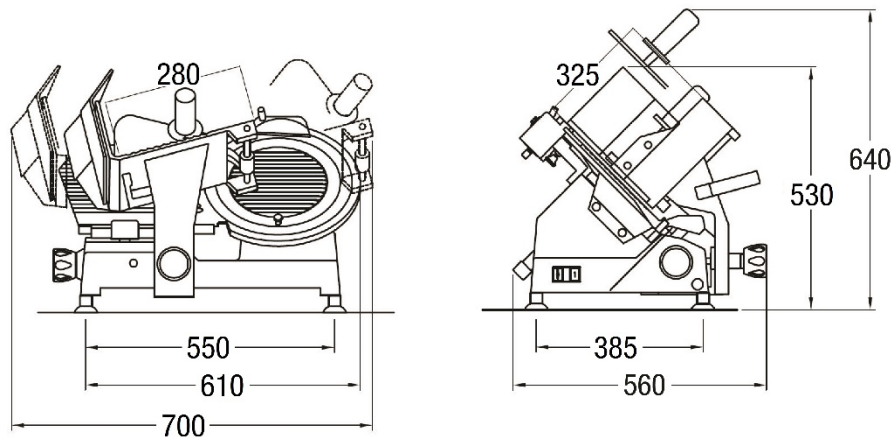
**Optional Accessories**

Item
Tray Extension Device
Stainless Steel Guard
Product Hold Bar for Gravity Plate
Painting Customisation

Item
Serrated Blade
Teflon Coated Parts (Blade Cover, Gauge Plate, Blade)
Special Arm (Protected)
Vegetable Tube

Item
Stainless Steel Knife Remover
Aluminium Knobs
Plastic Cover – Small

## Drawing



## Specifications

Model	Blade (mm) / (Inch)	Phase (Ø)	Motor (Volt)	Frequency (Hz)	Current (Amp)	Power (kW)
NS350XHD	350 / 14	1	2230	50	1.36	0.30

## Capacity

Model	Cutting Capacity (mm)		Carriage Movement (mm)	Max Slice Thickness (mm)
NS300XHD	● 240	□ 200 x 270	290	14

## Dimensions | Shipping Information

Model	Overall Dimensions D x W x H (mm)	Net Weight (kg)	Packed Dimensions D x W x H (mm)	Packed Weight (kg)	Volume (m3)
NS300XHD	560 x 700 x 640	36	800 x 820 x 620	41	0.222

We reserve the right to alter the specification and technical details for this item at any time without prior notice. 10/2020

**Metcalfe Catering Equipment Ltd**

Haygarth Park

Blaenau Ffestiniog

Gwynedd, LL41 3PF

