



Model

NS300HD

Product Description

Slicer, 12", Heavy Duty

Product Code

5S301N



Standard Features

- Designed for handling larger volumes than medium duty range. Recommended for delis, restaurants, supermarkets and canteens
- Hollow ground chromed carbon steel blade
- Powerful twin 'V' belt driven transmission gives a smooth cutting action and silent running
- Easy belt adjustment
- Easy set thickness control allows for precision slicing
- Carriage slides on ball bearings for smooth carriage glide
- Made from high polished, anodised food grade aluminium for durability and hygiene
- Large base to ensure slicer has a large capacity to cope with large products
- Ergonomic design with smooth rounded edges to allow for fast and easy cleaning and improved levels of hygiene
- Fully interlocked and safe guarded for full compliance of CE legislation. This ensures all-round blade protection for ultimate user safety during cleaning
- Built-in, self-aligning sharpening and de-burring unit
- Table / carriage, blade cover, blade and sharpening unit are detachable for easy cleaning
- Transparent slicing guard to ensure ultimate user safety whilst slicing
- Optional voltages and frequencies available on request
- CE Approved

Standard Accessories

- 1 x Knife Remover
- 1 x Flat Head Screwdriver
- 1 x Tasteless Oil

Warranty

Covered by Metcalfe 2-year warranty (1st year parts and labour, 2nd year parts only) and full after sales service

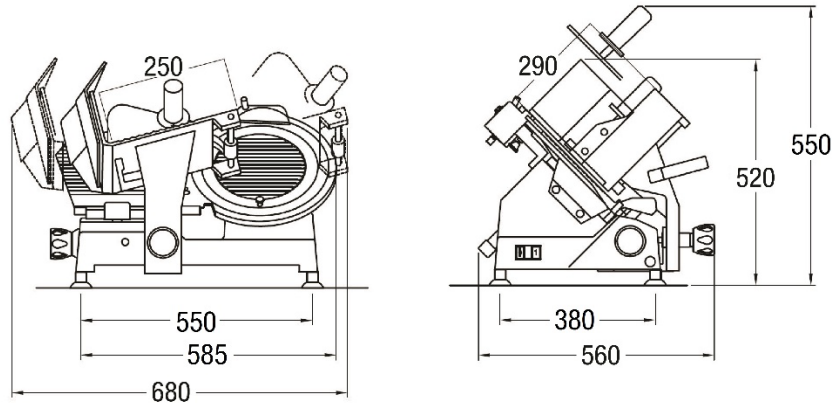
Optional Accessories

Item
Tray Extension Device
Stainless Steel Guard
Product Hold Bar for Gravity Plate
Painting Customisation

Item
Serrated Blade
Teflon Coated Parts (Blade Cover, Gauge Plate, Blade)
Special Arm (Protected)
Vegetable Tube

Item
Stainless Steel Knife Remover
Aluminium Knobs
Plastic Cover – Small

Drawing



Specifications

Model	Blade (mm) / (Inch)	Phase (Ø)	Motor (Volt)	Frequency (Hz)	Current (Amp)	Power (kW)
NS300HD	300 / 12	1	220	50	1.10	0.242

Capacity

Model	Cutting Capacity (mm)		Carriage Movement (mm)	Max Thickness (mm)
NS300HD	● 205	□ 175 x 270	290	14

Dimensions | Shipping Information

Model	Overall Dimensions D x W x H (mm)	Net Weight (Kg)	Packed Dimensions D x W x H (mm)	Packed Weight (Kg)	Volume (m3)
NS300HD	560 x 680 x 550	29	600 x 710 x 520	34.5	0.222

We reserve the right to alter the specification and technical details for this item at any time without prior notice.

10/2020

Metcalfe Catering Equipment Ltd

Haygarth Park

Blaenau Ffestiniog

Gwynedd, LL41 3PF

