

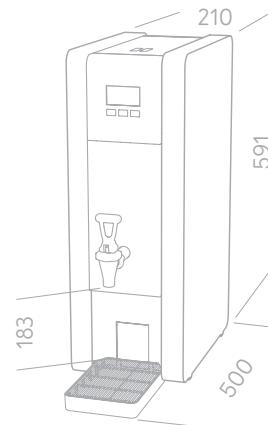
MIX COUNTERTOP WATER BOILERS/TAP



MIX T8
1000871



DIMENSIONS



- 8 litres
- Vacuum insulated tank for up to 70% more energy-efficiency
- Removable drip tray

- 28 litre output per hour
- 156 cups (180ml) per hour
- Built-in water filter

HIGHLY ACCURATE AND ENERGY-EFFICIENT BOILER WITH BUILT-IN FILTER FOR ADDED QUALITY CONTROL.

BOILER

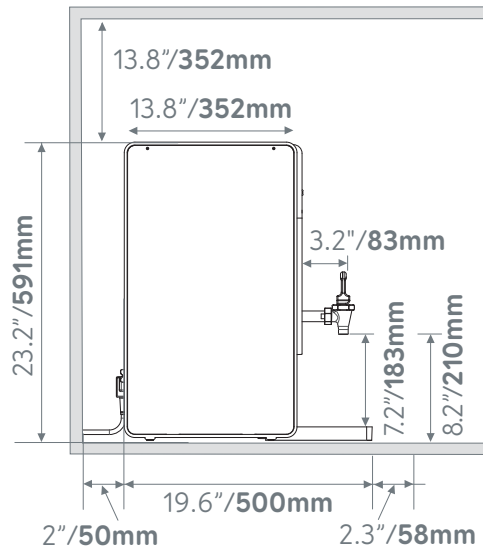
| NAME ORDER CODE | POWER @ 230V | IMMEDIATE DRAW OFF | DIMENSIONS (D x W x H mm) | TAP TO COUNTER (T mm) | PLUMBING REQS |
|-------------------|--------------|--------------------|---------------------------|-----------------------|---------------|
| MIX T8 1000871 | 2.8kW | 8 L | 500 x 210 x 591 | 183 | 3/4" BSP |

PACKAGING

| NAME ORDER CODE | PACKED WEIGHT | PACKAGING DIMENSIONS (L x W x H mm) | QUANTITY PER PALLET |
|-------------------|---------------|-------------------------------------|---------------------|
| MIX T8 1000871 | 14kg | 450 x 290 x 700 | 18 |

MIX T8

MIX T8 1000871



VENTILATION REQUIREMENTS

50mm/1.9" clearance required at each side and back of machine if installed in an enclosed cabinet.

ELECTRICAL INSTALLATION PROCEDURE

When installing the machine, always observe the local regulations and standards. The standard machine is supplied with a UK 3-pin plug. For EU models a 2-pin CEE-7 plug will be supplied. US models will be supplied with the suitable plug. A suitable mains power supply socket should be available within easy access of the appliance so that it can be disconnected easily after install.

PLUMBING INSTALLATION PROCEDURE

- Ensure that the equipment is installed according to local plumbing & water regulations.
- Mains water pressure required (limits): 14.5 - 145psi (100 - 1000kPa, 0.1 - 1MPa).
- Requires inline water filter within your water specifications.
- The machine is supplied with a 3/4" BSP connection.
- Turn on the water to flush any impurities, dust etc from the inlet hose and water pipe. Allow several litres through. Especially for new installations.

- Connect the hose to the inlet valve of the boiler. Make sure a sealing washer is fitted.
- Turn on water and check for leaks.

OPERATING BOILER FOR THE FIRST TIME

- Check that all installation procedures have been carried out.
- Ensure water valve is on.
- Plug boiler into suitable socket.
- Turn on the power switch.
- The "Wait" progress circle will be visible on the screen and the machine will fill to a safe level, above the elements, before heating.
- The "Ready" tick will come up on screen when the machine is full and up to normal operating temperature (approx. 10/20 mins).
- The boiler is now ready for use - the display will show the button settings and the "Ready" status tick.
- The Boiler may now be used to dispense Hot Water to the preset factory settings.

NOTE: Because the boiler is electronically controlled no priming is necessary. The element cannot switch on until a safe level of water is reached.