



**Model**

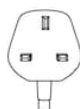
MP7

**Product Description**

Planetary Mixer, 7 litre, Heavy Duty

**Product Code**

5MP7



**Standard Features**

- Heavy duty 7ltr, counter-top, planetary mixer
- Particularly suitable for bakeries, hotels, restaurants, canteens etc
- Easy to operate
- Planetary mixing action ensures perfect results
- High torque 600w motor allows mixing of stiffer doughs and larger batches
- Automatic electronic 5-speed control and digital timer
- 5 Variable speeds from 193 rpm to 495 rpm
- Non-stop shifting speed
- 30 minute timer
- Interlocking bowl guard and bowl lift
- Perspex safety guard with ingredient chute and automatic shut-off when guard is opened at any speed
- Overload protection (NVR device)
- Long lasting lubricant providing abrasion resistant transmission
- Transmission gears are made of heat treated, hardened steel
- All metal and die-cast aluminium body
- Quiet operation

**Standard Accessories / Attachments**

- 1 x Whisk
- 1 x Beater
- 1 x Dough Hook
- 1 x 7 litre stainless steel bowl

**Warranty**

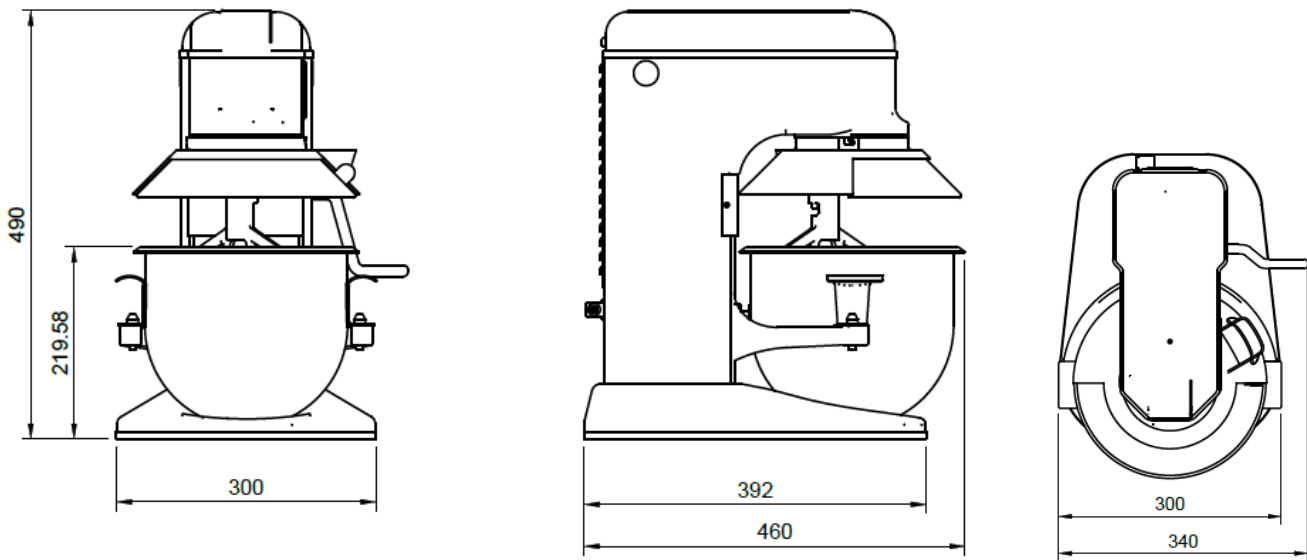
Covered by Metcalfe 3-year warranty (1<sup>st</sup> year parts and labour, 2<sup>nd</sup> & 3<sup>rd</sup> years parts only) and full after sales service

**Optional Accessories / Attachments**

Item	Product Code
Bowl	MP11007-12-001
Beater	MP11007-12-002

Item	Product Code
Dough Hook	MP11007-12-003
Whisk	MP11007-12-004

## Drawing



## Specifications

Model	Capacity (ltr)	Phase (Ø)	Motor (Volt)	Frequency (Hz)	AMP (A)	Power (kW)	Speed (rpm)
MP7	7	1	220-240	50	6	0.60	193-495

## Dimensions | Shipping Information

Model	Overall Dimensions D x W x H (mm)	Net Weight (kg)	Packed Dimensions D x W x H (mm)	Packed Weight (kg)	Volume (m3)
MP7	460 x 340 x 490	18	510 x 400 x 610	20	0.124

We reserve the right to alter the specification and technical details for this item at any time without prior notice. 12/2021

## Metcalfe Catering Equipment Ltd

Haygarth Park  
Blaenau Ffestiniog  
Gwynedd, LL41 3PF

