



Model

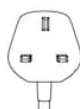
MP20

Product Description

Planetary Mixer, 20 litre, Heavy Duty

Product Code

5MP20



Standard Features

- Heavy duty 20ltr, bench mounted, gear driven, planetary mixer
- Particularly suitable for bakeries, hotels, restaurants, canteens etc
- Easy to operate
- Planetary mixing action ensures perfect results
- High torque motor allows mixing of stiffer doughs and larger batches
- 3 fixed speeds: 140, 260 and 473 rpm
- Easy speed-shifting
- Interlocking bowl guard and bowl lift
- Stainless steel safety guard with ingredient chute and automatic shut-off when guard is opened at any speed
- Industry standard #12 attachment hub
- Thermal overload protection (NVR device)
- Emergency stop button
- Long lasting lubricant providing abrasion resistant transmission
- Transmission gears are made of heat treated, hardened steel
- Heavy duty cast-iron frame
- Non-slip rubber feet
- Quiet operation

Standard Accessories / Attachments

- 1 x Whisk
- 1 x Beater
- 1 x Dough Hook
- 1 x 20 litre Stainless steel bowl

Warranty

Covered by Metcalfe 3-year warranty (1st year parts and labour, 2nd & 3rd years parts only) and full after sales service

Optional Attachments

Item	Product Code
Veg Prep Attachment (no plates included)	MPVS12A

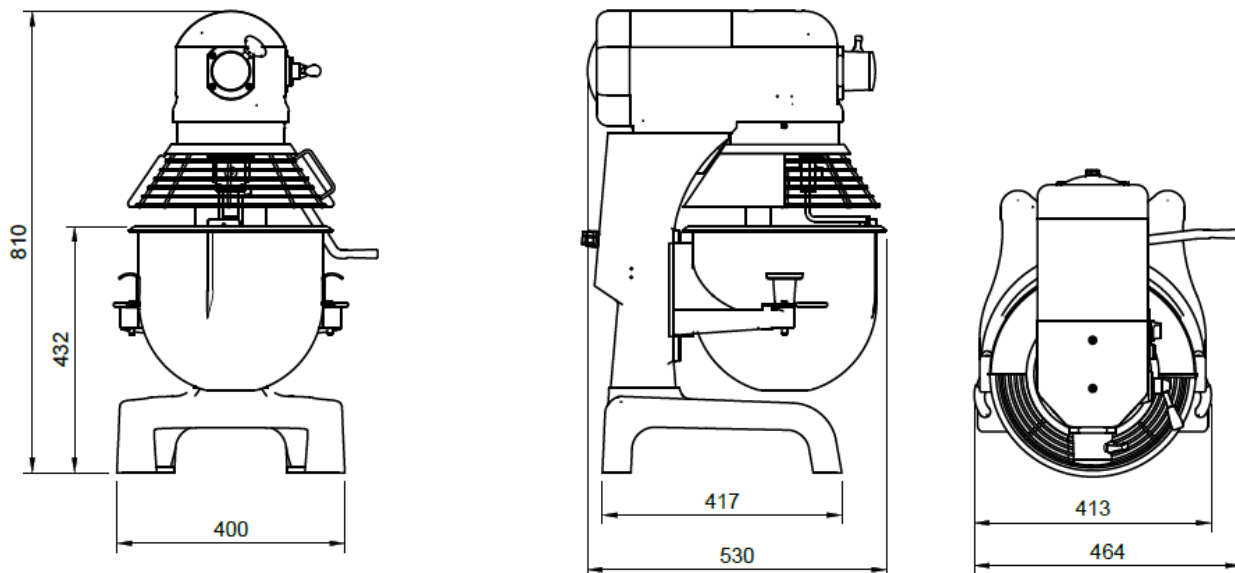
Item	Product Code
Meat Mincer Attachment (6mm & 8mm plates included)	MPG12SH

Optional Accessories

Item	Product Code
Bowl	MP11012-12-001
Beater	MP11012-12-002
Dough Hook	MP11012-12-003A
Whisk	MP11012-12-004
Stand	5MP21

Item	Product Code
10ltr reduction bowl	MP11012-12-005
10ltr reduction beater	MP11012-12-006
10ltr reduction dough hook	MP11012-12-007
10ltr reduction whisk	MP11012-12-008
Trolley	5MP22

Drawing



Specifications

Model	Capacity (ltr)	Phase (Ø)	Motor (Volt)	Frequency (Hz)	AMP (A)	Power (kW) / (hp)	Speed (rpm)
MP20	20	1	220-240	50	5.5	0.375 / 0.5	140 / 260 / 473

Dimensions | Shipping Information

Model	Overall Dimensions D x W x H (mm)	Net Weight (kg)	Packed Dimensions D x W x H (mm)	Packed Weight (kg)	Volume (m3)
MP20	530 x 464 x 810	98	620 x 520 x 1000	110	0.32

We reserve the right to alter the specification and technical details for this item at any time without prior notice. 12/2021

Metcalfe Catering Equipment Ltd

Haygarth Park
Blaenau Ffestiniog
Gwynedd, LL41 3PF

