



## **DOMINATOR***PLUS*

# *G3941R Ribbed Griddle*

### Key features

- 18mm thick half ribbed steel griddle plate
  - Provides consistent, even heat
- Three independently-controlled burners
  - Vary the temperature across the surface if desired
- Temperature range of 140 - 300°C
  - Ideal for a wide range of food items
- Thermostatically controlled
  - Reduces energy consumption, improved operation
- Full height stainless steel surround
  - Ensures adjacent equipment remains spatter free
- Grease collection tray at front of unit
  - Catches and contains grease and fat
- Piezo ignition
  - Efficient and simple operation
- Laser-etched control icons
  - Permanent, indelible markings

### Accessories

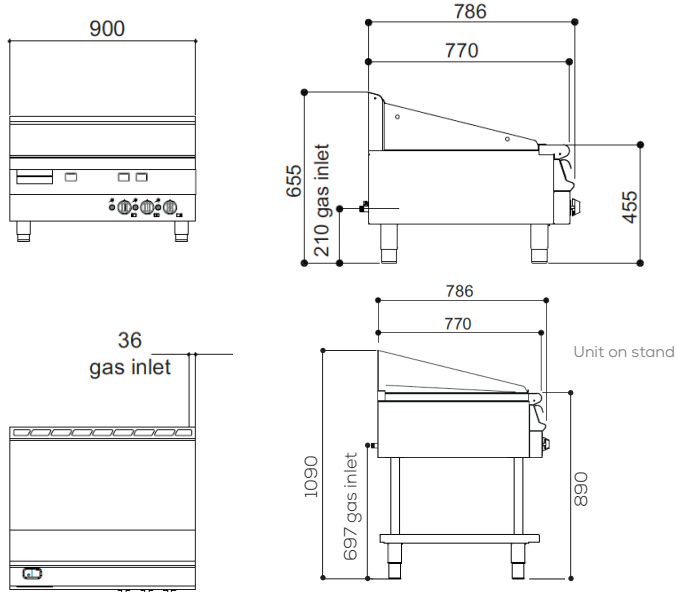
- Fixed stand
- Factory fitted, adjustable castors
- Fixed installation kit



### Similar Models

- G3941 smooth griddle
- G3641R half ribbed griddle
- E3481 electric smooth griddle
- E3481R electric half ribbed griddle

## Ribbed Griddle



Measurements *in mm*

Unit on castors is the same hob height

### Installation notes

Adequate ventilation must be provided to supply sufficient fresh air for combustion and to allow easy removal of any such products that may present a risk to health. Please consult current legislation for details that relate to specific locations.

Install unit on a level, fireproof surface in a well-lit, draught free position. If floor is made of a combustible material, local fire requirements must be checked to ensure compliance.

A clearance of 150mm should be observed between appliance and any combustible wall.

### Specification details

Total rating (natural and propane - kW - Nett)	15.9	
Total rating (natural and propane - btu/hr - gross)	59,700	
Inlet size (natural and propane)	1/2" BSP	
Flow rate - natural (m <sup>3</sup> /hr)	1.75	
Flow rate - propane (kg/hr)	1.30	
Inlet pressure (natural and propane - mbar)	20 / 37	
Operating pressure (natural and propane - mbar)	15 / 37	
Burner rating (natural and propane - kW - Nett)	5.3	
Burner rating (natural and propane - btu/hr - gross)	19,900	
Number of burners	3	
Cooking area (w x d - mm)	895 x 485	
Weight (kg)	127	
Weight on stand (kg)	157	
Packed weight (kg)	145	
Packed dimensions (w x d x h - mm)	1000 x 1000 x 650	
GTIN numbers	Nat Gas	LPG

