



DOMINATORPLUS

G3532 Grill

Key features

- High performance burner systems
 - Ideal for flashing and finishing
- Variable heat settings
 - Save energy when full heat is not required
- Supplied with reversible brander
 - Increases cooking versatility
- Five position shelf runners
 - Provides flexible cooking options
- Oil collection tray mounted on grid shelf
 - Catches any liquid grese during grilling
- Removable drip tray
 - Catches grease and debris during grilling
- All stainless steel exterior, cast iron chamber linings
 - Easy to clean, long lasting and robust

Accessories

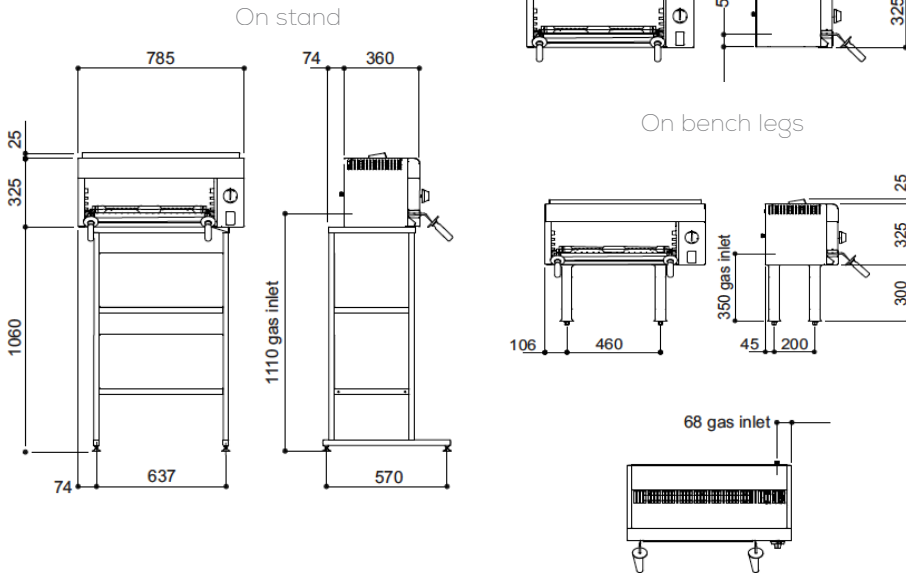
- Brander
- Brander carrier
- Floor stand
- Wall bracket
- Bench Legs

Similar Models

- G3512 gas grill
- E3532 electric grill
- E3512 electric grill



Measurements *in mm*



Installation notes

Adequate ventilation must be provided to supply sufficient fresh air for combustion and to allow easy removal of any such products that may present a risk to health. Please consult current legislation for details that relate to specific locations.

Install unit on a level, fireproof surface in a well-lit, draught free position. If floor is made of a combustible material, local fire requirements must be checked to ensure compliance.

A clearance of 150mm should be observed between appliance and any combustible wall.

Specification details

Total rating (natural and propane - kW - Nett)	6.65	
Total rating (natural and propane - btu/hr - gross)	24,960	
Inlet size (natural and propane)	1/2" BSP	
Flow rate - natural (m ³ /hr)	0.70	
Flow rate - propane (kg/hr)	0.52	
Inlet pressure (natural and propane - mbar)	20 / 37	
Operating pressure (natural and propane - mbar)	15 / 37	
Brander (w x d - mm)	540 x 275	
Weight (kg)	33	
Packed weight (kg)	40	
Packed dimensions (w x d x h - mm)	800 x 400 x 550	
GTIN numbers	Nat Gas	LPG

