

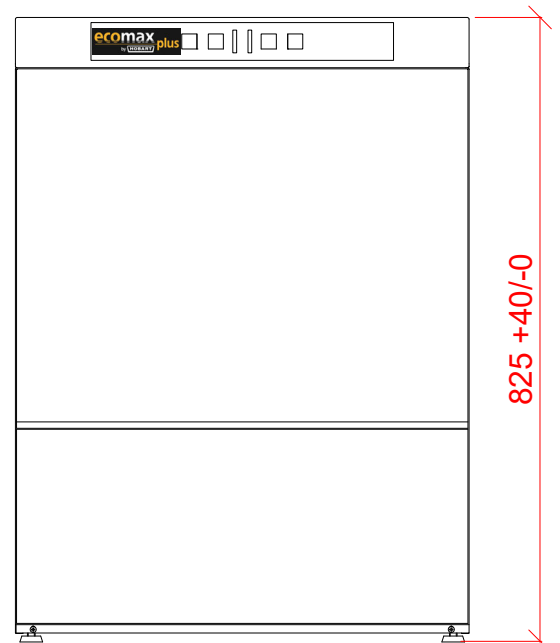
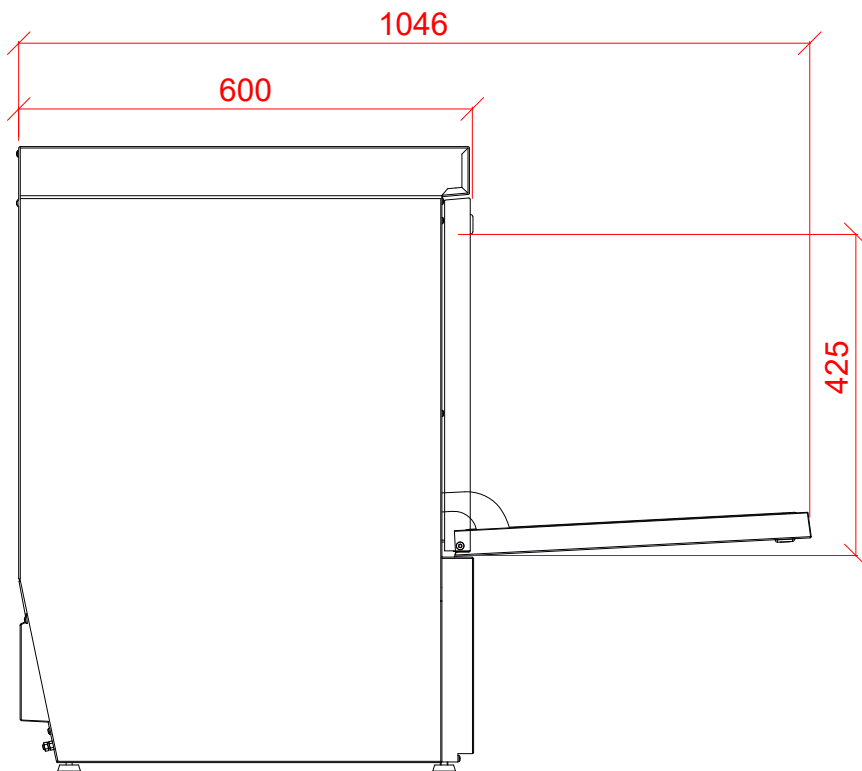
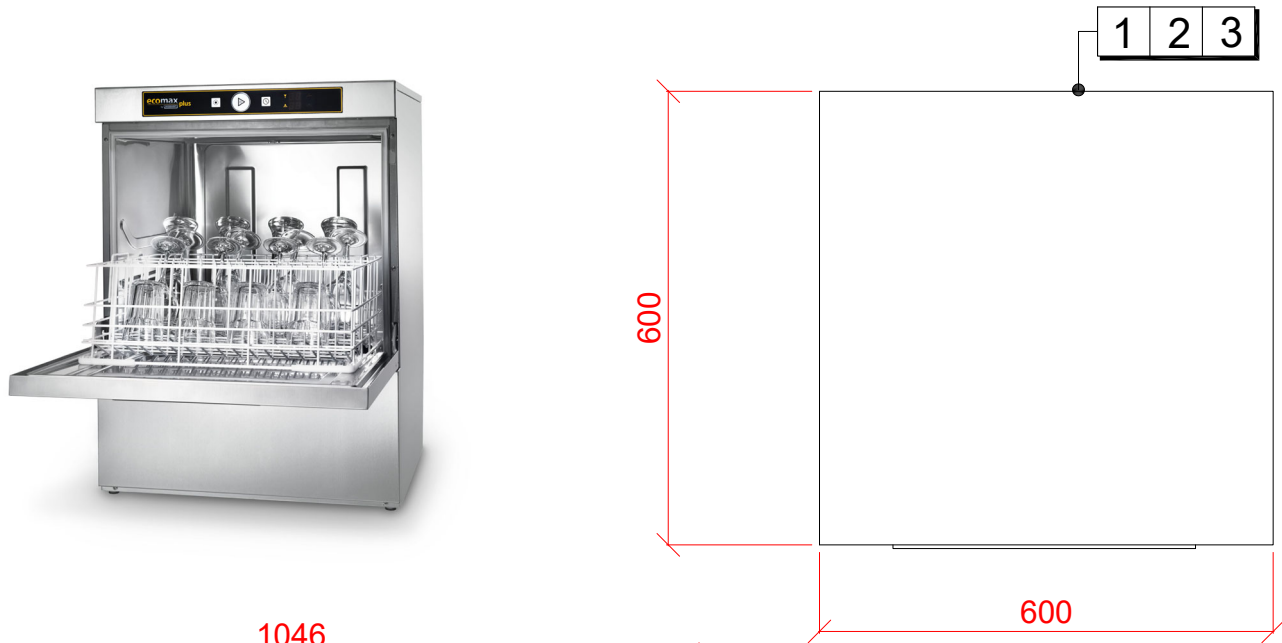
ECOMAX PLUS SERIES

GLASSWASHERS



Undercounter Glasswasher

ECO+G515-10D



<p>1 Water</p> <p>22mm CONNECTION VIA 2 METRE FLEXIBLE HOSE, FEMALE TERMINATION.</p> <p>WATER SUPPLY 10 TO 60°C (2° TO 8° CLARK MAX) @ 0.6 TO 6.0 BAR MAX. INITIAL TANK FILL 10.6 LITRES.</p> <p>RINSE WATER USAGE 2.0 LITRES PER CYCLE. MAX USAGE 60 CYCLES PER HOUR.</p> <p>OUR MACHINES ARE SUPPLIED WITH CLASS 'AB' AIR GAP AS STANDARD.</p>	<p>2 Drain</p> <p>DRAIN - 2 METRE FLEXIBLE HOSE TO A 40 mm TRAPPED STANDPIPE 600mm MAX A.F.F.L.</p> <p>FLOW RATE 30 LITRES PER MINUTE.</p> <p>Other Services</p> <p>RINSE AGENT HOSE - 2.5 METRE FLEXIBLE. DETERGENT HOSE - 2.5 METRE FLEXIBLE.</p>	<p>3 Electric</p> <p>6.7kW 400/50/3 FUSED AT 16amps/ PHASE. CONFIGURABLE TO: 4.7kW 230/50/1 + N + E FUSED AT 25amps OR 2.6kW 230/50/1 + N + E FUSED AT 13amps.</p> <p>MACHINE SUPPLIED WITH 2.5 METRES OF CABLE</p> <p>Notes</p> <p>APPROX WEIGHTS: EMPTY: 65kg's WITH WATER: 87kg's +40mm FEET HEIGHT ADJUST</p>
---	--	--

PLOT SCALE: 1:10

RIGHT TO MAKE NECESSARY CHANGES IS RESERVED