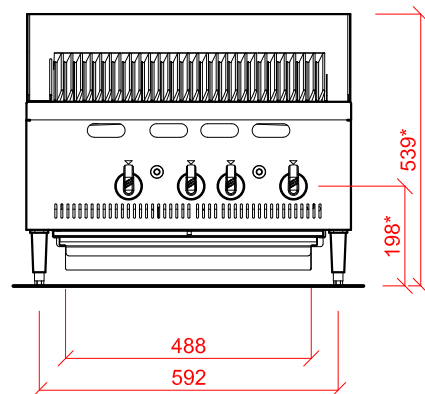
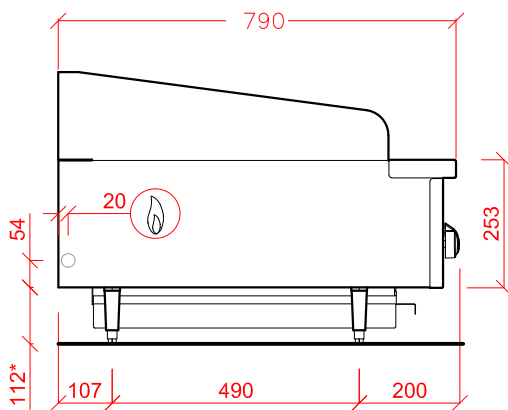
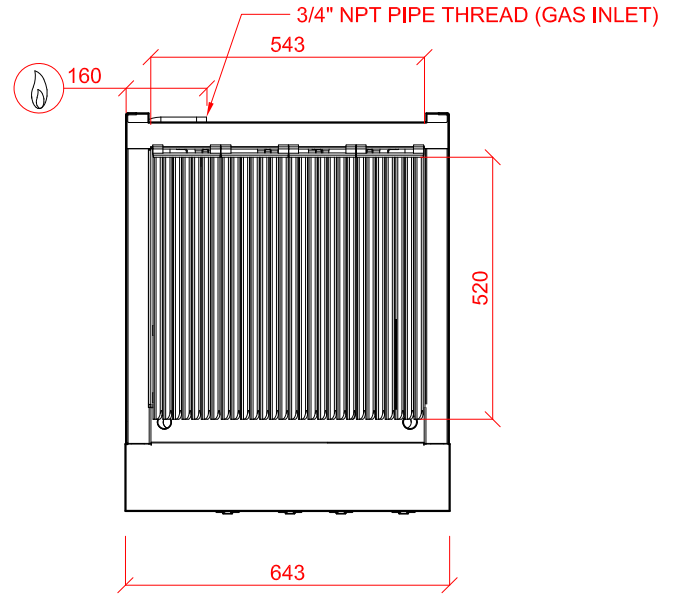


COOKING EQUIPMENT
CHARBROILER RANGE



Charbroiler Range - LPG Gas

BCB600-2



Device Number

Description

Gas

Notes

BCB600-2

GAS CHARBROILER
 - (LPG Gas).
 (WITH PIEZO IGNITION).

14.0kW /
 (47,780BTU/H)

22mm CONNECTION, 37m BAR

SPECIAL NOTE:
 INSTALLATION MUST COMPLY
 WITH CURRENT GAS SAFETY
 REGULATIONS AND BS 6173
 UNIT WEIGHT - 86kg